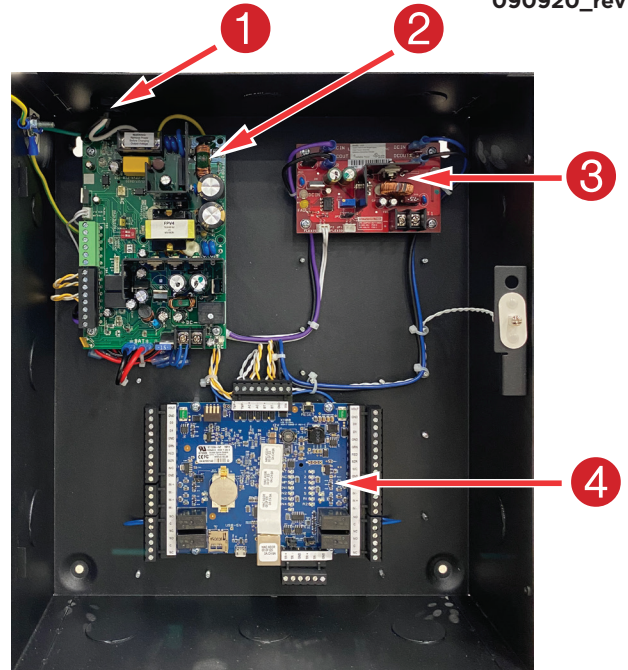


### Description

The ADC-AC-X1100-2PSE is a two door access control unit featuring dual voltage power and includes one prewired X1100. The 14"x 12"x 4.5" metal enclosure includes battery space.

### Equipment List

1. Pre installed AC power cord
2. Power Supply 24VDC / 3A (model: FPV4)
3. Secondary 12V supply (model: B100)
4. Pre-installed X1100 controller



- Accessories included
- AC power cord
  - Battery harness

### System Operation

The FPV4 power supply converts AC primary power to 24VDC for charging the battery set and powering the X1100 controller, B100, locking device(s), and 24V auxiliary devices. The B100 is powered from the FPV4 Auxiliary terminals and steps the 24V down to 12V to power any 12V auxiliary devices.

The battery set is charged by the red/black harness on the bottom edge of the FPV4. The battery set **MUST** be two 12V batteries in series for a 24V battery set. Observe polarity or damage to the system will occur.

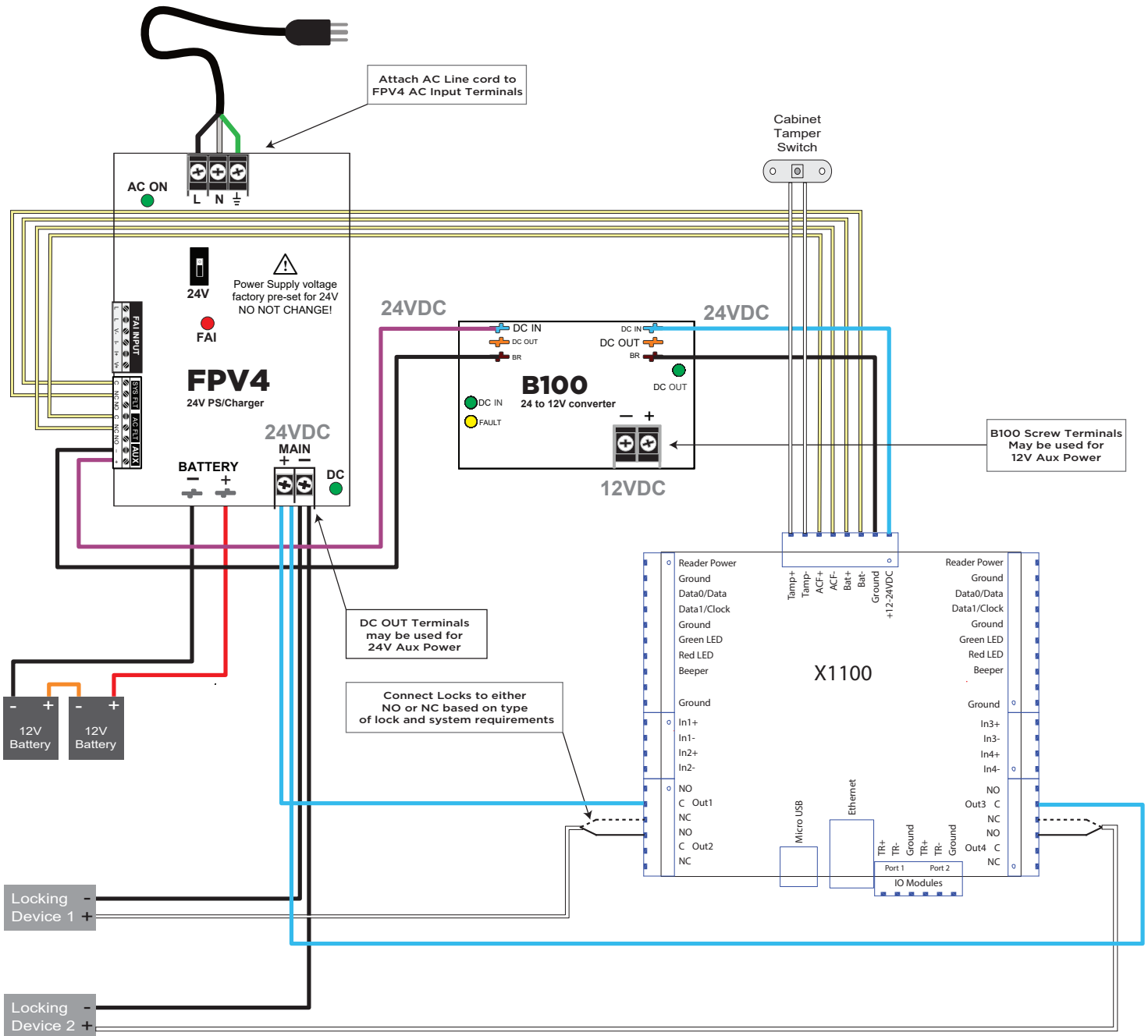
Positive lock power is prewired to the X1100 lock relay Common terminals. The lock positive should be wired to the NC (Fail Safe) or NO (Fail Secure) terminal as appropriate. Each lock negative should be wired directly to the FPV (-) terminal to minimize noise and surges in the system.

### Terminal Output Ratings

\*\*Max currents listed are for individual terminals - total current at 12V and 24V not to exceed max rating of supply

Board	Terminal	Voltage	Max Current**	Notes
FPV4	DC OUT	24V	1.5A	Output can be switched by FAI Input on FPV4
	AUX OUT	24V	0.75A	Max Current includes current drawn by B100
B100	DC OUT	12V	1.5A	For additional 12V devices
	J2 (DC OUT)	12V	1.5A	For additional 12V devices
	J5 (DC OUT)	12V	1.5A	For additional 12V devices
	J1 (DC IN)	24V	0.75A	For additional 24V devices
	J4 (DC IN)	24V	0.75A	For additional 24V devices
X1100	OUT1 (NO or NC)	24V	1.5A	Switched Lock Output - Ground at FPV4 (-) Terminal
	OUT3 (NO or NC)	24V	1.5A	Switched Lock Output - Ground at FPV4 (-) Terminal

Wiring Diagram



**LifeSafety Power**  
 899 E Park Avenue  
 Libertyville, IL 60048 USA  
[www.lifesafetypower.com](http://www.lifesafetypower.com)  
 Tel (888) 577-2898  
[info1@lifesafetypower.com](mailto:info1@lifesafetypower.com)

**Important:** All information, including illustrations, is believed to be reliable. Users, however, should independently evaluate the suitability of each product for their particular application. LifeSafety Power makes no warranties as to the accuracy or completeness of the information, and disclaims any liability regarding its use. LifeSafety Power's only obligations are those in the LifeSafety Power Standard Terms and Conditions of Sale for this product, and in no case will LifeSafety Power or its distributors be liable for any incidental, indirect, or consequential damages arising from the sale, resale, use, or misuse of the product. Specifications are subject to change without notice. In addition, LifeSafety Power reserves the right to make changes—without notification to Buyer—to processing or materials that do not affect compliance with any applicable specification.