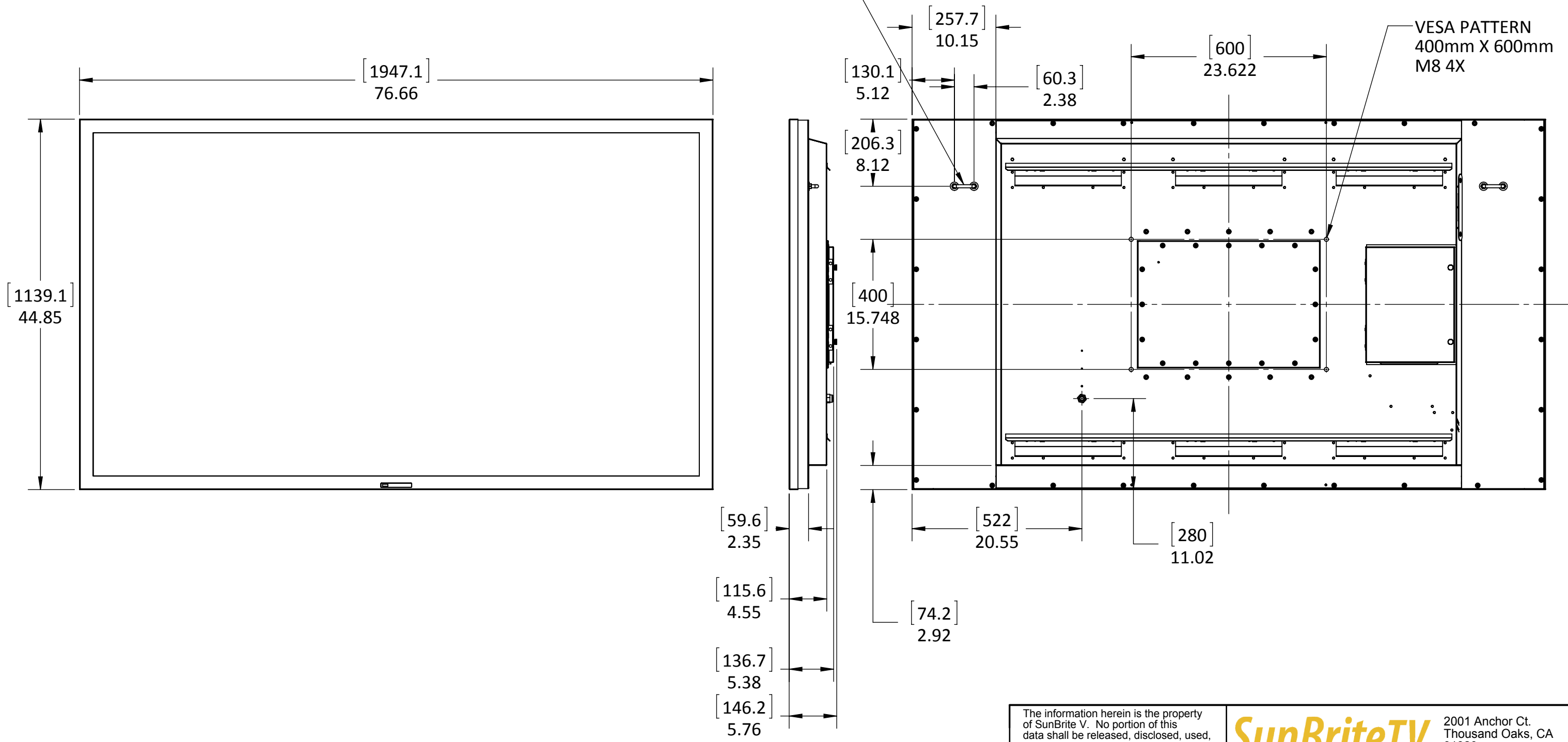


LIFT HOOKS



The information herein is the property of SunBrite V. No portion of this data shall be released, disclosed, used, or duplicated for any purposes without the written consent of SunBriteTV.

SunBriteTV 2001 Anchor Ct.
Thousand Oaks, CA 91320

APPROVALS	DATE	TITLE			
DESIGN JDD	21 Jul 15	SB8418 Top Assy ortho			
DRAWN JDD	21 Jul 15	SIZE B	SCALE 1:12	PART # 15060401	REV NC
CHECKED		SHEET 1 OF 1			